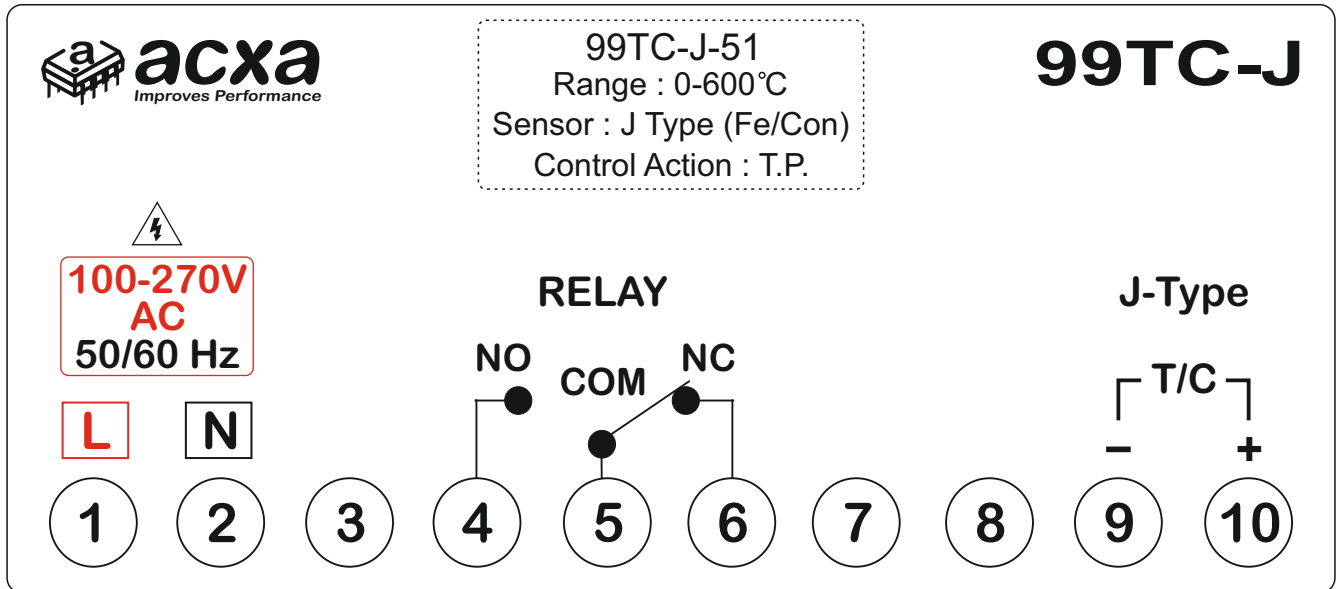


CONNECTION DETAILS



USER MANUAL

Model	99TC-J-51
Dimensions H x W x D	96 x 96 x 40 mm
Panel Cutout Size	92 x 92 mm
Temperature Display Range	0 - 625°C
Set Value Range	0 - 600°C
Accuracy	±1°C
Resolution	1°C
Proportional Band Range	1 - 15°C
Cycle Time	4 - 30 Sec.
Manual Reset Range	- 10°C to + 10°C
Hysteresis (In OnOF Control mode only)	1 - 100°C
Offset Range	- 20°C to + 20°C
No Thermocouple Detection	Flashing Text "oPEn"
Over Range Detection	Flashing Text "SrE"
Thermocouple Polarity Detection	Flashing Text "SrE"
LED Indications	For Relay Status
Set Point	1 Set Point (Programmable)
Input Sensor Type	J - Type (Fe / Con)
Control Action	Time Proportional / ON-OFF
Output Control Relay	1 CO, 7A, @ 230V AC
Display	4 Digit 7-Segment Red
Sampling Rate	High Speed Sampling
Precision	Accurate Reading
Startup Display	Smart Animation Display
Power Supply	100V - 270V AC, 50/60 Hz
Operating Temperature	0 - 60°C



99TC-J-51

USER MANUAL

SENSOR CONNECTIONS : Connect sensor to 9 & 10. -VE to 9 and +VE to 10.

How to set the SET VALUE :

Press and hold **SET** button then press **▲** or **▼** button to reach the desired SET VALUE. Now release the **SET** button to exit and save the new SET VALUE.

How to set the CONTROL PARAMETERS :

Press & hold **SET** button, display will show SET, PASS & then 40. Release **SET** button. Feed 70 password here. Press **SET** to enter the CONTROL ACTION setting. Change tP or OnOF either from **▲** or **▼** button. Press **SET** button. If tP control action selected, Use 36 password and press **SET** button to enter PROPORTIONAL BAND setting. Reach the desired value from 1 to 15 by pressing **▲** & **▼** buttons. Now press **SET** button to enter CYCLE TIME setting. Reach desired value from 4 to 30 by pressing **▲** & **▼** buttons. Now press **SET** button to save and exit. Now press **SET** button to enter MANUAL RESET setting. Reach the desired value by pressing **▲** & **▼** buttons. Now press **SET** button to save and exit. If OnOF control action selected, use 36 password and press **SET** button to enter HYSTERESIS setting. Reach desired value from 1 to 100 by pressing **▲** & **▼** buttons. Now press **SET** button to save and exit. If to change OFFSET value, Use 83 password and press **SET** button to enter offset setting. Reach desired value from -20 to +20 by pressing **▲** & **▼** buttons. Now press **SET** button to save and exit.

FAULT MESSAGES :

"oPEn" - Over Range or Sensor disconnected or faulty. "SrE" - Sensor Polarity is opposite.

NOTE : Specifications are subject to change, any time without any prior notice.

DEFAULT VALUES :

Control mode tP (Time Proportional)
Hysteresis 3 Degree
Proportional band 5 Degree
Cycle Time 8 Seconds
Manual Reset 0 Degree
Offset 0 Degree

Specifications

Model	99TC-J-51
Dimensions H x W x D	96 x 96 x 40 mm
Panel Cutout Size	92 x 92 mm
Temperature Display Range	0 - 625°C
Set Value Range	0 - 600°C
Accuracy	±1°C
Resolution	1°C
Proportional Band Range	1 - 15°C
Cycle Time	4 - 30 Sec.
Manual Reset Range	- 10°C to + 10°C
Hysteresis (In OnOF Control mode only)	1 - 100°C
Offset Range	- 20°C to + 20°C
No Thermocouple Detection	Flashing Text "oPEn"
Over Range Detection	Flashing Text "oPEn"
Thermocouple Polarity Detection	Flashing Text " SrE"
LED Indications	For Relay Status
Set Point	1 Set Point (Programmable)
Input Sensor Type	J - Type (Fe / Con)
Control Action	Time Proportional / ON-OFF
Output Control Relay	1 CO, 7A, @ 230V AC
Display	4 Digit 7-Segment Red
Sampling Rate	High Speed Sampling
Precision	Accurate Reading
Startup Display	Smart Animation Display
Memory	Nonvolatile Memory
Power Supply	100V - 270V AC, 50/60 Hz
Operating Temperature	0 - 60°C

Features

Standard Features :

- * Temperature Display : The display shows the current temperature value.
- * Set Point Control : You can set the required temperature and the machine will stop upon reaching that value.
- * Control Action Setting : You can set the control action as Time Proportional (tP) or On-Off (OnOf).
- * Proportional Band Range Setting : If tP control action is selected then you can set the Proportional Band from 1 to 15 degree.
- * Cycle Time : You can set the Cycle Time from 4 to 30 Seconds.
- * Hysteresis Setting : if OnOF control action is selected then you can select Hysteresis from 1 to 100 Degree.
- * Offset Setting : You can set Offset value from -20 to +20.
- * Manual Reset Setting : You can set Manual Reset from -10 to +10
- * Thermocouple Missing Detection : If no thermocouple is connected, display will show flashing test as oPEN.
- * Over Range Detection : When over range detected, display will show flashing text as oPEN.
- * Thermocouple Polarity Detection : If thermocouple is connected in the reverse polarity, display will show the flashing text as SrE.
- * Sampling Rate : Micro controller takes temperature samples very fast to achieve accuracy and resolution.

ACXA Benefits :

Say Goodbye to Expensive and Inaccurate J-Type temperature controllers. Switch to ACXA for:

- * Accurate and precise measurement and control.
- * Customizable functions according to your needs.
- * The most affordable price range in the market.
- * Data saving in non-volatile memory.
- * Superior quality and outstanding reliability when compared to other J- type temperature controllers.
- * One-year warranty with free-of-cost repairs.
- * Long-lasting durability with full repairability.
- * All sizes readily available.
- * Straight forward installation process and user interface.